

### Fully Welded Ball Valves

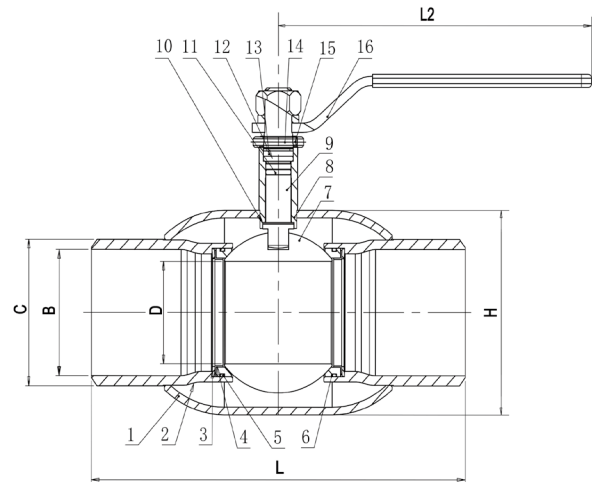
PN40/600PSI/Class300

Reduced Bore, Lever Handle, Floating Ball  
Design to EN488  
Pressure Test to EN12266.1

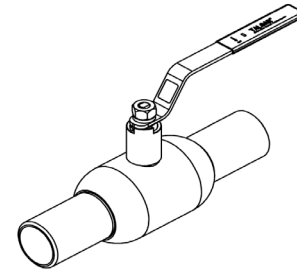


WB3532-L  
SXS

Materials List		
1	Body	A106-B, EN10217-2
2	Welded Pipe	A106-B, EN10217-2
3	Spring	AISI 304, EN10088-3
4	Fireproof Gasket	AISI 304
5	O-Ring	Viton
6	Seat Ring	PTFE 25%C
7	Ball	AISI 304, EN10088-3
8	Stem Guide	A106-B, EN10217-2
9	Stem	ASTM A420, EN10088-3
10	Thrust Washer	PPL
11	O-Ring	Viton
12	O-Ring	Viton
13	Packing	Graphite
14	Gland	A106-B, EN10217-2
15	Pin	ASTM 1566
16	Lever Handle	AISI 1020



\* Operating temperature range: -30°C ~ +200°C .  
\* For other materials and special requirements, please consult the factory or the local offices.



Dimensions/Weights									
In	D	B	C	H	L	L2	Kvs	Lbs	Kg
½	10	16	21	34	230	220	8	2.4	1.1
¾	15	19	27	42	230	220	15	2.6	1.2
1	20	26	34	48	230	220	26	3.5	1.6
1¼	25	34	42	60	260	220	40	4.2	1.9
1½	32	40	48	76	260	265	68	5.5	2.5
2	40	50	60	83	300	265	112	9.0	4.1

\* Please consult the engineers for full-bore dimensions.